

**Service Box *SB100EC* Access Floor Opening Type**

SB100EC floor box integrates power, voice and data in a modularized and easy installation, including poly-carbonate mounting lid with steel base tray, for finish floor height of 100 mm, for 2 compartments.

**The System**

Overall Dimension: 250 mm X 220 mm

Height: 100 mm (access floor minimum finish height)

Mounting lid: poly-carbonate lid, reinforced with 3mm galvanized steel at middle which recess 6.5 mm for topping.

Cable Exiting Flap Dimension: 30 mm X 70 mm

Box Base Tray Dimension: 230 mm X 200 mm

Box Knockouts Dimension for Each Side : 2 X 20 mm (3/4") and 2 X 26 mm (1")

**Compartment Plate**

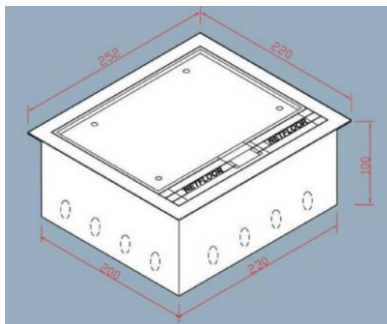
Power Socket:

- a. 2 X EC power socket plate. 16A, 250 V

Data Socket:

- a. Twin data 86 steel plate for 4 ports

\*\* Combination style and accessories per requirement



\*\* access panel cut out: 232 mm X 202 mm

\*\* carpet tile cut size for topping floor box: 210 mm X 146 mm

