

Service Box **SS403 / SS603** Cable Trench Type

SS403 / SS603 floor box consists of polishing stainless steel mounting lid and galvanized steel base, with 2 compartments, for finish floor height 40 mm and 60 mm.



System

Overall dimension: 320 mm X 115 mm

Height: 40 mm / 60 mm (access floor minimum finish height)

Mounting Lid: polishing stainless steel, 246 mm X 153 mm

Cable Exiting Flap Dimension: 30 mm X 50 mm

Box base size : 90 mm X 300 mm, galvanized steel

Box Knockouts Dimension for two sides: 1 X 20 mm (3/4") and 1 X 26 mm (1")

Compartments for sockets and data jack: made of steel with electro-deposition coating.

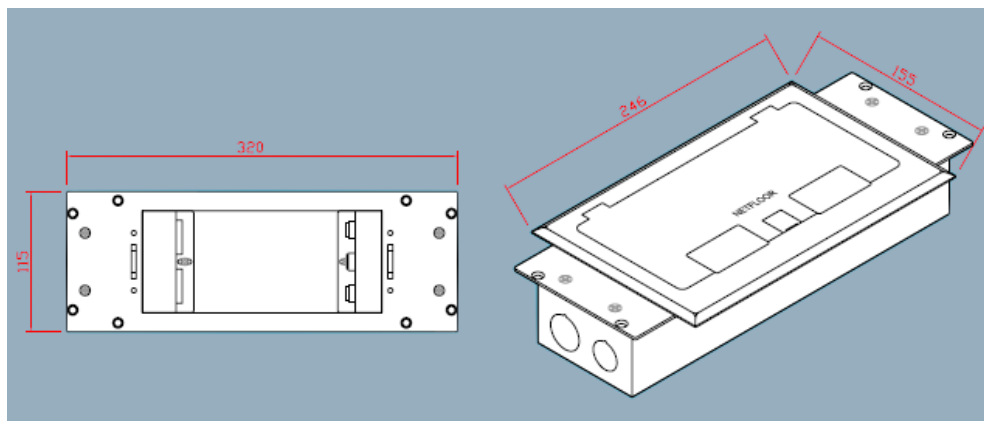
Compartment Plate

Power Socket:

- a. 1 X power socket plate for 2 plugs. 15A/20A, 110 V

Data Socket:

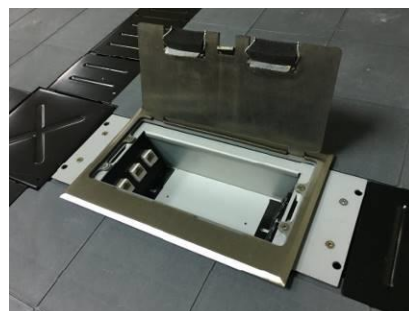
- a. 1 X faceplate for total 3 ports RJ45 data jacks



For Plug Type A/B



USA/JP/CAN



- Install in Cable Trench.



- Quick install
- Do not need cut panel.