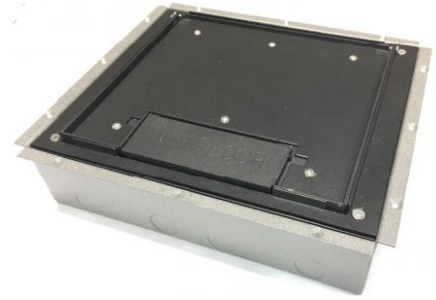


Service Box SE60BS Access Floor Opening Type

SE60BS floor box consists of light gray epoxy coating mounting lid, frame and box base, 3 compartments.

**The System**

Overall Dimension: 248 mm X 218 mm

Height: 60 mm (access floor minimum finish height)

Mounting lid: Molded steel tray with frame, reinforced with 1.6 mm steel at middle, which recess 5 mm for topping.

Cable Exiting Flap Dimension: 4 mm X 10 mm

Box Base Tray Dimension: 230 mm X 200 mm

Box Knockouts Dimension for Each Side : 2 X 20 mm (3/4") and 2 X 26 mm (1")

Compartment Plate

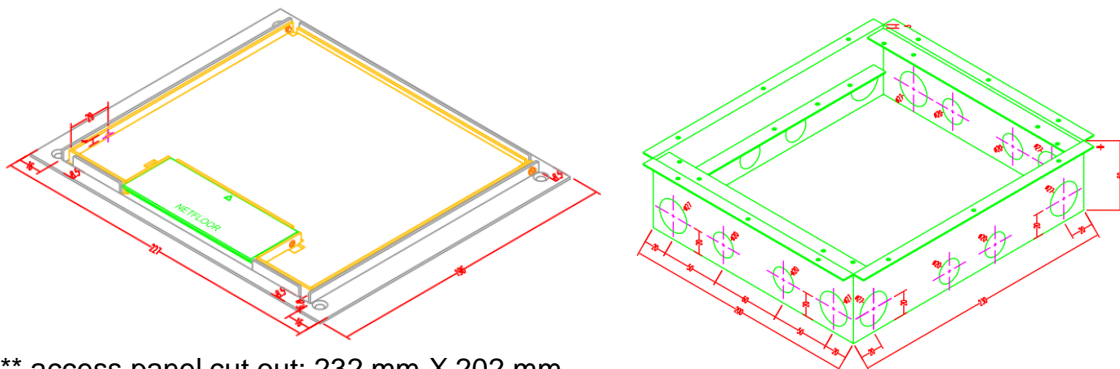
Power Socket:

- a. 1 X twin switched BS power socket plate. 13A, 240 V
- b. 2 X twin switched BS power socket plate. 13A, 240 V

Data Socket:

- a. 2 hole snap-in bracket plate
- b. 6 hole snap-in bracket plate
- c. Twin data 86 steel plate

** Combination style and accessories per requirement



** access panel cut out: 232 mm X 202 mm

