

Service Box **SS603BS** Cable Trench Type

SS603BS floor box consists of polishing stainless steel mounting lid and galvanized steel base, with 2 compartments, for finish floor height 60 mm.



System

Overall dimension: 320 mm X 115 mm

Height: 60 mm (access floor minimum finish height)

Mounting Lid: polishing stainless steel, 246 mm X 155 mm

Cable Exiting Flap Dimension: 30 mm X 50 mm

Box base size : 90 mm X 300 mm, galvanized steel

Box Knockouts Dimension for two sides: 1 X 20 mm (3/4") and 1 X 26 mm (1")

Compartments for sockets and data jack: made of steel with electro-deposition coating.

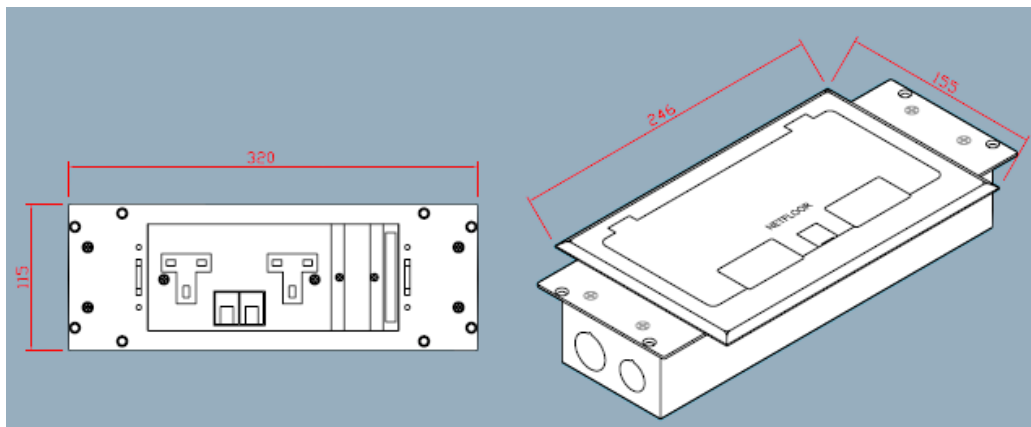
Compartment Plate

Power Socket:

- a. 1 X twin switched BS power socket plate. 13A, 240 V

Data Socket:

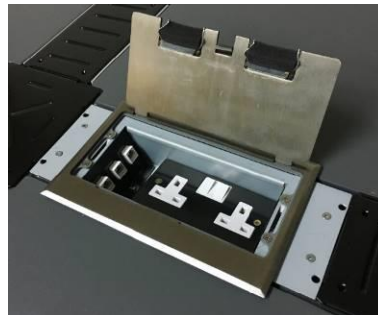
- a. 1 X faceplate for total 3 ports RJ45 data jacks



For Plug Type G



Britain / HK



- Install in Cable Trench.



- Quick install
- Do not need cut panel.